



FAPS-8

High performance EMP/IEMI protection of two data line pairs up to 2Mb/s.

Protects against surges produced by EMP or other transients

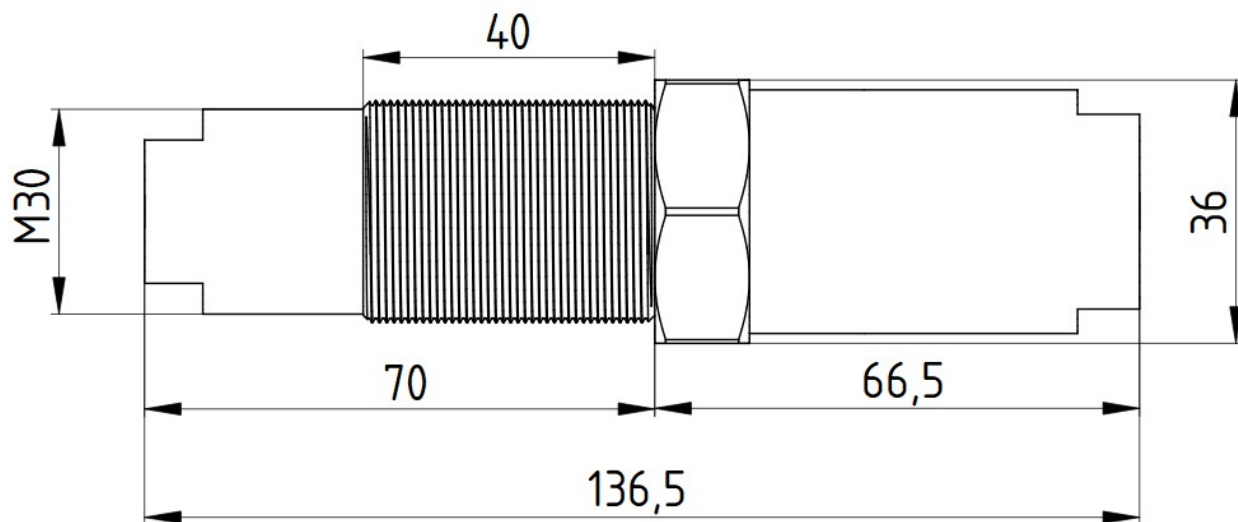
Combination of effective overvoltage protection and low pass filtering up to microwave frequencies provides excellent IEMI protection

Feed-through type- stainless steel body for direct installation to wall of Faraday cage

Designed to meet or exceed Mil-Std-188-125 requirements

		Additional information
Manufacturer:	Fitelnet Oy	Made in Finland
Filter type:	FAPS-8	EMP/HPM - filter Based on MIL188-125 standard
Application:	Transmission lines	ITU-T G.703 E1 and T1 (2Mb/s and similar).
Number of lines:	4	
Max. DC-current:	360 mA / line	
Max. DC-voltage:	30V / (Line to ground) 60V / (Between pairs)	
Max. Signal voltage:	18V / (Line to ground)	
Stop band attenuation @50Ω:	>80 dB (typical)	High attenuation against HPM
PCI-test residual current:	< 1A	Based on Mil-Std-188-125 / Short Pulse
Connector:	Krone LSA-PLUS	Different connector types available on request.
Physical dimensions:	Cylinder shape. See dimensions drawing.	Filter thread M30 Nut wrench size 36mm
Weight:	~300g	Material: stainless steel
Operating temperature range (ambient temperature):	-40°C...+60°C	
NSN:	5915580001650	Nato Stock Number

Dimensions:



Fitelnet reserves the right to change this product specification at any time without notice.