



**FPSF 48VDC6A**

**High performance EMP/IEMI protection of DC power supply line pair up to 48 V / 6 A (DC operation range 0 to ±48V)**

**Protects against surges produced by EMP or other transients**

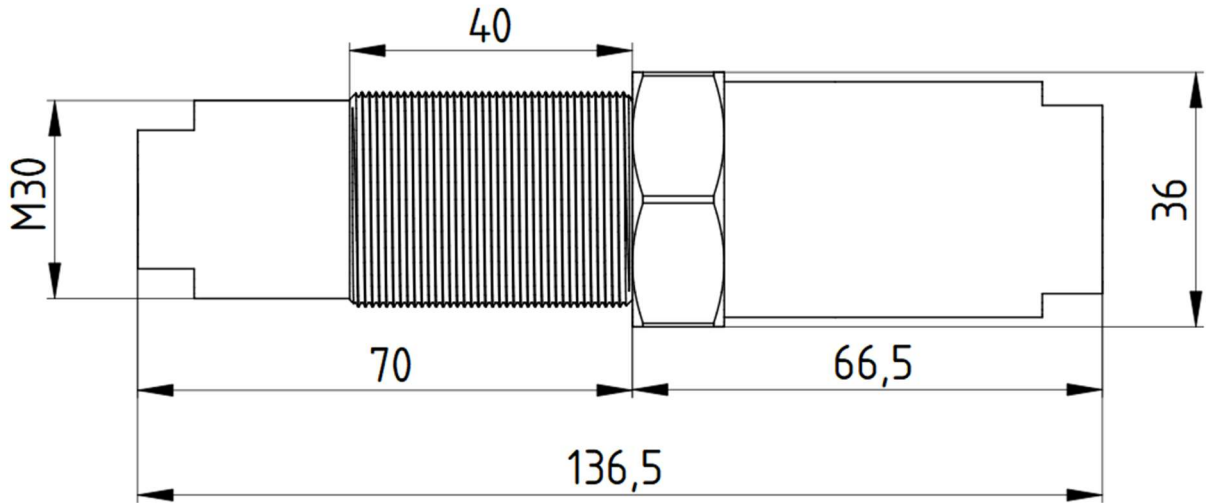
**Combination of effective overvoltage protection and low pass filtering up to microwave frequencies provides excellent IEMI protection**

**Feed-through type- stainless steel body for direct installation to wall of Faraday cage**

**Designed to meet or exceed Mil-Std-188-125 requirements**

		<b>Additional information</b>
Manufacturer:	Fitelnet Oy	Made in Finland
Filter type:	FPSF 48VDC6A	EMP/IEMI - filter Based on MIL188-125 standard
Application:	0 to ±48 VDC	Suitable for up to 48 VDC power supply systems
Number of lines:	2	
Rated DC-current:	6 A	
DC Resistance per line:	<60mΩ	
Stop band attenuation @50Ω:	>80 dB (typical)	High attenuation against HPM
PCI-test residual current:	Performance greatly exceeds 10A standard requirement	Based on Mil-Std-188-125 / Short Pulse
Connector:	Leaf spring screw connector	Suitable conductors: 0.13 ... 2.5 mm <sup>2</sup>
Physical dimensions:	Cylinder shape. See dimensions drawing.	Filter thread M30 Nut wrench size 36mm
Weight:	~300g	Material: stainless steel
Operating temperature range (ambient temperature):	-40°C...+60°C	
NSN:	TBC	Nato Stock Number

Dimensions:



Fitelnet reserves the right to change this product specification at any time without notice.